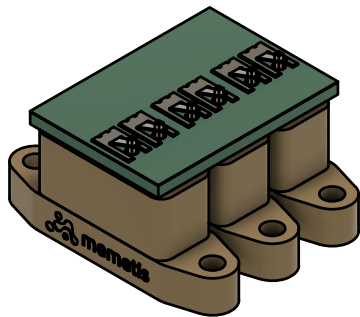
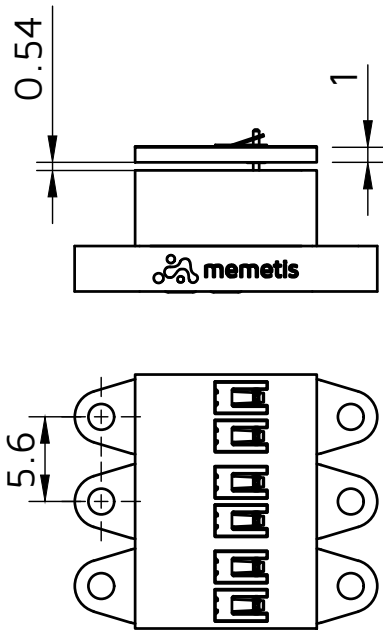
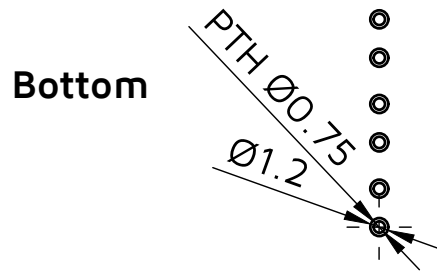
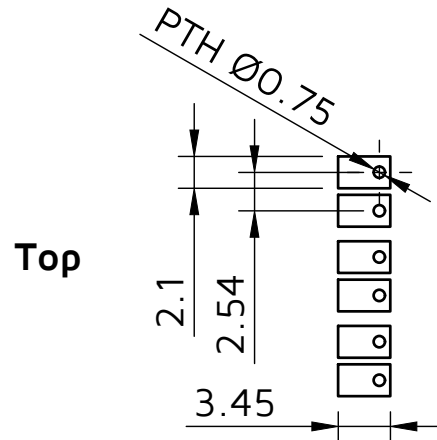


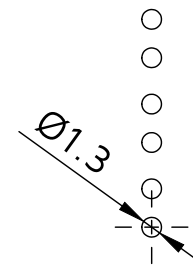
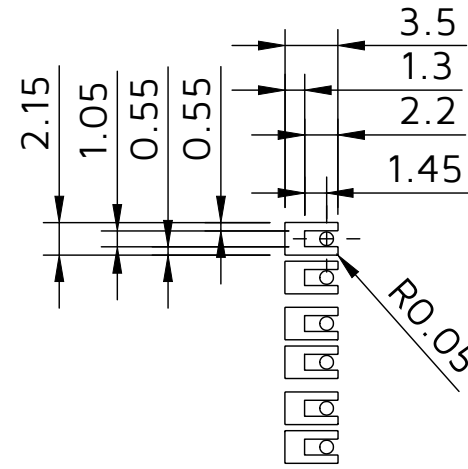
Spring Contacts TE 2040852-1



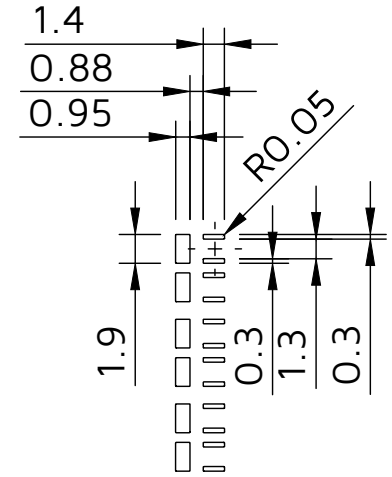
Copper
SMD pad (top) with plated through hole



Solder Mask



Solder Paste



all measurements in mm

Dept.	Technical reference BD_TS024	Created by DF	Approved by		
		Document type	Document status final		
		Title 2/2-way NC Valve Spring Contact	DWG No.		
	Rev. 1.0	Date of issue 2024-03-04	Sheet 1/1		