

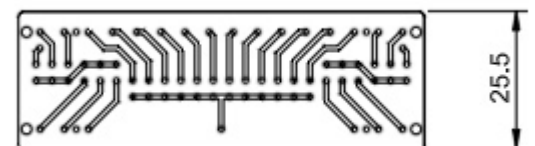
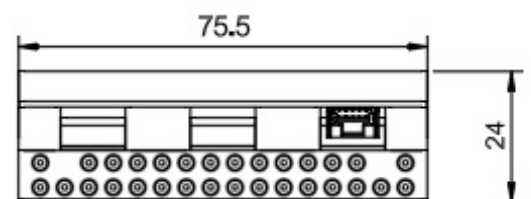
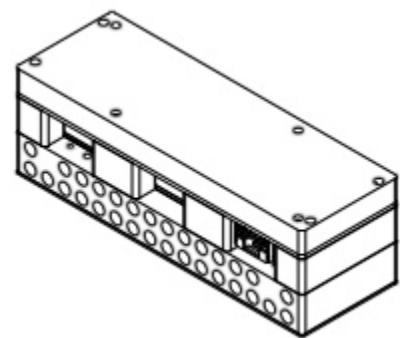
Multivalve (24-channel)



The 24-channel memetis Multivalve (NC) with integrated electronics represents our standard configuration for handling fluidics in compact systems, offering near-zero dead volume.

Both the number of channels and the fluidic routing can be customized to meet specific customer requirements.

The Multivalve provides outstanding fluidic performance relative to its size while maintaining extremely low power consumption, establishing a new benchmark for efficiency and effectiveness in microvalve technology.



Contact Information

memetis GmbH
 Gablonzer Str. 27
 76185 Karlsruhe, Germany
 Tel. +49 721 47 00 02 40
 Email: support@memetis.com

*Dimensions in millimeters [mm]
 CAD model available on request*

Specifications

Model ID	MPL-24CH-NC-08-02P-PEEK-SIL MPL-24CH-NC-08-02P-PEEK-FFKM MPL-24CH-NC-08-02P-PEI-SIL MPL-24CH-NC-08-02P-PEI-FFKM
Type	24-Channel, media separated
Functionality	normally closed (NC) valve array: on/off, proportional control per channel possible
Media types	liquids, gases
Dimensions (LxWxH)	75.00 mm x 25.50 mm x 24.00 mm
Nominal orifice DN	0.8 mm
Weight	ca. 20.00 g
Internal volume (per channel)	ca. 1 µl (valve chamber)
Electrical power (per channel)	0.175 W

Performance Data

Min. relative input pressure	- 0.5 bar
Max. relative pressure (individual ports)	+ 2.0 bar
Operating temperature	+10°C to +55°C
Storage temperature	-20°C to +90°C
Switching time (on)	< 0.05 s (@ Δp = 1 bar and 20°C ambient temperature)
Switching time (off)	< 0.15 s (@ Δp = 1 bar and 20°C ambient temperature)
Flow rate (air) per channel	2500 ml/min (@ 1 bar pressure difference)
Flow rate (water) per channel	75 ml/min (@ 1 bar pressure difference)
c_v value per channel	ca. 0.005 m ³ /h

Wetted Materials

Housing (wetted-part)	PEEK / PEI / PSU / PC / PMMA
Sealing membrane	FFKM / silicone
O-rings / gasket	FFKM / FKM / silicone

Installation

The memetis multivalve is connected to your manifold by flange-mount. The device provides threads for space-saving bottom mount. Alternative versions for top mount are available on request.

Alternative Products

MVL-22-NC-08-14P-PEEK-SIL	Normally closed Microvalve classic
MVL-22-NC-08-03P-PEEK-SIL	Normally closed Microvalve negative pressure
CA0408	Monostable, linear chip actuator (0.4 mm of stroke, 8.0 N of force)



Contact Information

memetis GmbH
Gablonzer Str. 27
76185 Karlsruhe, Germany
Tel. +49 721 47 00 02 40
Email: support@memetis.com